

Near Field WattUp® Wire-Free Charging

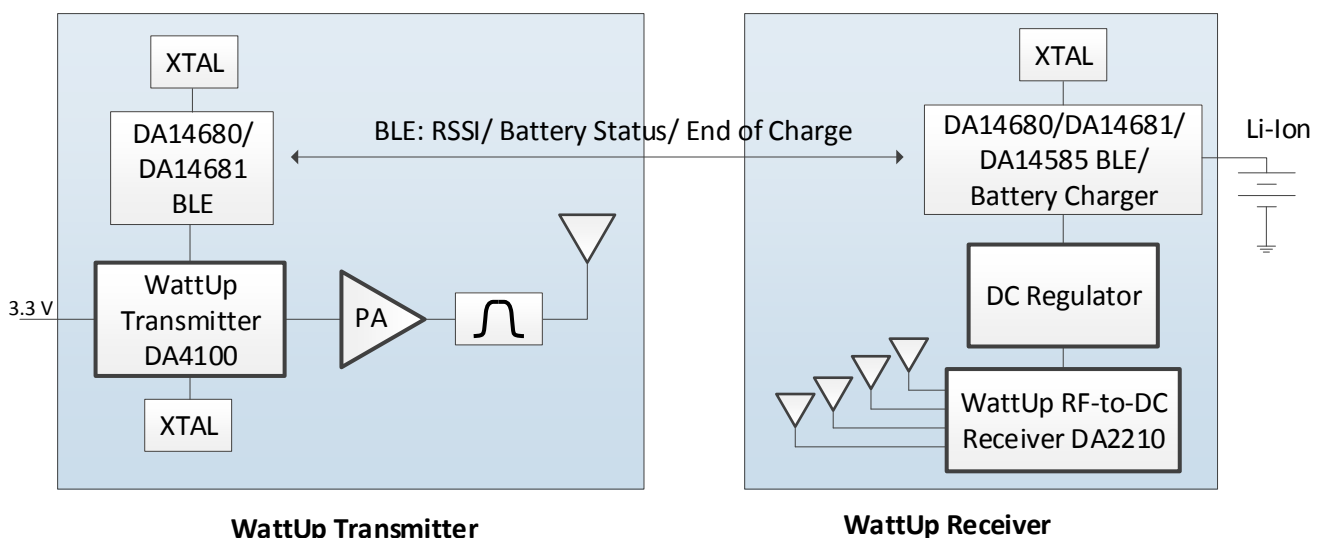
Ultra-small, location-flexible, RF charging solution for wearables, hearables and low-power electronics

Near Field WattUp RF-based charging provides an ultra-small wireless charging solution, expanding wireless charging into wearables, hearables and other low-power devices, which are challenged to include wireless charging due to large coil size required by coil-based designs. WattUp also provides greater placement freedom while charging compared to coil-based charging systems which require very tightly coupled designs.

WattUp® from Energous Corporation is a radio frequency (RF) based wireless charging solution that delivers intelligent, scalable power. WattUp technology is provided to Dialog under license from Energous Corporation. The Near Field WattUp transmitter represents the smallest and lowest cost transmitter option. The Near Field WattUp transmitter design is intended to be an in-box solution for many small electronics, ultimately replacing the USB cable and power adapter typically included in the box. The solution provides the convenience and waterproofing benefits of wireless charging without significantly affecting the overall BOM cost. The Near Field WattUp transmitter technology can be embedded into laptops, game consoles, furniture, automotive, other devices or as a stand-alone transmitter.

The Near Field WattUp system is comprised of a WattUp wireless power transmitter (DA4100), a WattUp wireless power receiver (DA2210), a DC-DC (buck/boost), a Li-Ion/Li-Poly battery charger and an optional Bluetooth® communication link (DA14680, DA14681 or DA14585) which supports battery status communication between the WattUp receiver and transmitter. The same link can be used to provide the user with full power management capabilities using the WattUp Application running on a Smartphone or tablet. Antennas are fabricated using low-cost PCB material.

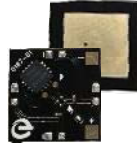
Near Field WattUp System Block Diagram



Near Field WattUp Evaluation Kit



**Near Field WattUp
Transmitter
(DA4100)**



**Antenna and Receiver
Evaluation Board
(DA2210)**



**DC-DC/Battery
Charger/BLE
(DA14680)**

DA4100 WattUp Wireless Power Transmitter SoC

DA4100 is a fully integrated WattUp power transmitter IC which operates directly from 3.3V and only requires an external crystal, power amplifier and transmit antenna to complete a Near Field WattUp power transmitter design.

DA2210 WattUp Wireless Power RF-to-DC Receivers

DA2210 is a wireless power RF-to-DC receivers which can be connected to 1 to 4 antennas. Antennas can be as small as 2mm x 3mm, typically used for hearables, and from 8mm x 8mm to 10mm x 10mm for wearables. Multiple antennas can be used to increase received power for devices with increased area, such as remote controls or battery banks.

DA14680/DA14681/DA14585 SmartBond Bluetooth SoC and Battery Charger

DA14680 (internal FLASH), DA14681 (external FLASH) and DA14585 (external FLASH, no charger) are Bluetooth Low Energy SoC with integrated Li-Ion battery charger, which provides a link between the WattUp transmitter and receiver as well as a communication link to a phone where battery status information can be shared to give a complete system solution.



Applications

- Fitness Bands
- Hearables
- Hearing Aids
- Bluetooth Headsets
- Bluetooth Trackers
- Smart Pens
- Remote Controls

Key benefits

- Ultra-small RF/antenna-based solution
- Improved spatial and orientation freedom
- Secure pairing of the transmitter and device-under-charge
- Eliminates connectors and charging contacts
- Enables fully sealed waterproof design

Dialog Semiconductor Worldwide Sales Offices - www.dialog-semiconductor.com

email: info@diasemi.com

United Kingdom
Phone: +44 1793 757700

The Netherlands
Phone: +31 73 640 88 22

Japan
Phone: +81 3 5425 4567

Singapore
Phone: +65 648 499 29

Korea
Phone: +82 2 3469 8200

Germany
Phone: +49 7021 805-0

North America
Phone: +1 408 845 8500

Taiwan
Phone: +886 281 786 222

Hong Kong
Phone: +852 3769 5200

China (Shenzhen)
Phone: +86 755 2981 3669
China (Shanghai)
Phone: +86 21 5424 9058

This publication is issued to provide outline information only, which unless agreed by Dialog Semiconductor may not be used, applied, or reproduced for any purpose or be regarded as a representation relating to products. All use of Dialog Semiconductor products, software and applications referred to in this document are subject to Dialog Semiconductor's [Standard Terms and Conditions of Sale](#), available on the company website (www.dialog-semiconductor.com) unless otherwise stated.

Dialog and the Dialog logo are trademarks of Dialog Semiconductor plc or its subsidiaries. All other product or service names are the property of their respective owners.

© Copyright 2017 Dialog Semiconductor. All rights reserved.