



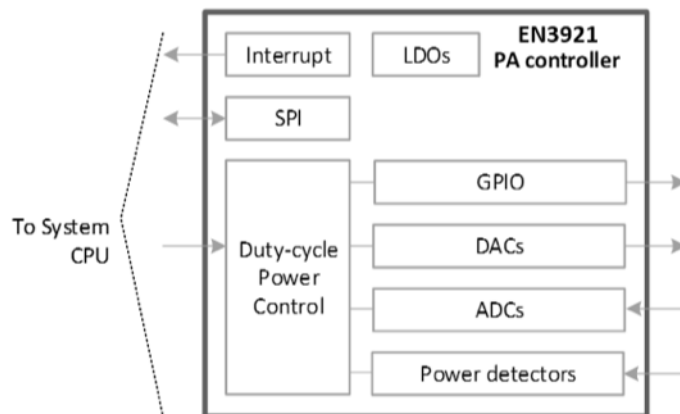
By Energous Corporation

## WattUp® EN3921 Power Amplifier Controller

Highly integrated wireless power amplifier controller enables WattUp wireless RF/antenna-based charging

EN3921 is a power amplifier controller IC that supports biasing, monitoring and dynamic control of the EN3913 GaN power amplifier. Along with the DA4100 transmitter IC and EN3913M GaN Power Amplifier, they charge WattUp-enabled receivers. WattUp receiver technology may be integrated into various devices such as fitness trackers, hearables and wearables, smartphones, tablets, power tools, and other high-power devices.

### WattUp EN3921 Wireless Power Amplifier Controller Block Diagram



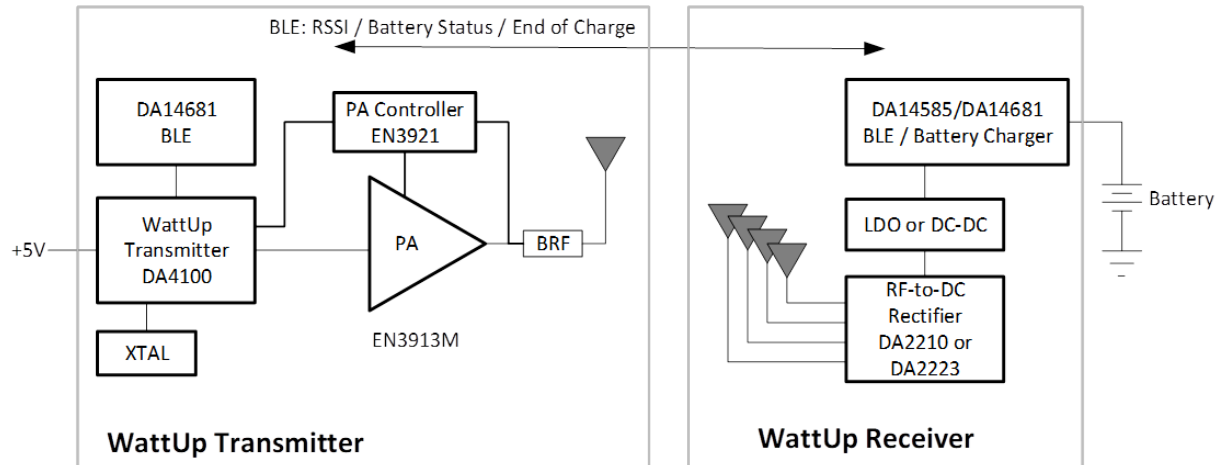
3590 N. 1st Street Suite 210  
San Jose CA 95134

1-408-963-02100  
[www.energous.com](http://www.energous.com)



By Energous Corporation

## WattUp System Block Diagram



### Applications

- Wearables
- Fitness Tracker
- Hearables
- Mobile Phones
- Tablets
- Power Tools
- Industrial Applications

### Key Benefits

- RF/antenna-based solution
- Smaller antenna area than coil-based designs
- Improved spatial and orientation freedom
- Eliminates connectors and charging contacts
- Enables fully sealed waterproof design

This publication is issued to provide outline information only, which unless agreed by Energous Corporation may not be used, applied, or reproduced for any purpose or be regarded as a representation relating to products.

Energous, WattUp, and the Energous and WattUp logos are trademarks of Energous Corporation. All other product or service names are the property of their respective owners. © Copyright 2019 Energous Corporation. All rights reserved.



3590 N. 1st Street Suite 210  
San Jose CA 95134

1-408-963-02100  
[www.energous.com](http://www.energous.com)